



**SPARE PARTS CATALOGUE
ERSATZTEILKATALOG
CATALOGUE PIECES DETACHEES
CATALOGO PARTI RICAMBIO
CATALOGO DE PIEZAS DE RECAMBIO
CATALOGO PECAS, DE REPOSICAO**

Catalogo parti di ricambio valido
dalla matricola 4334285 ad oggi (17/11/2021)

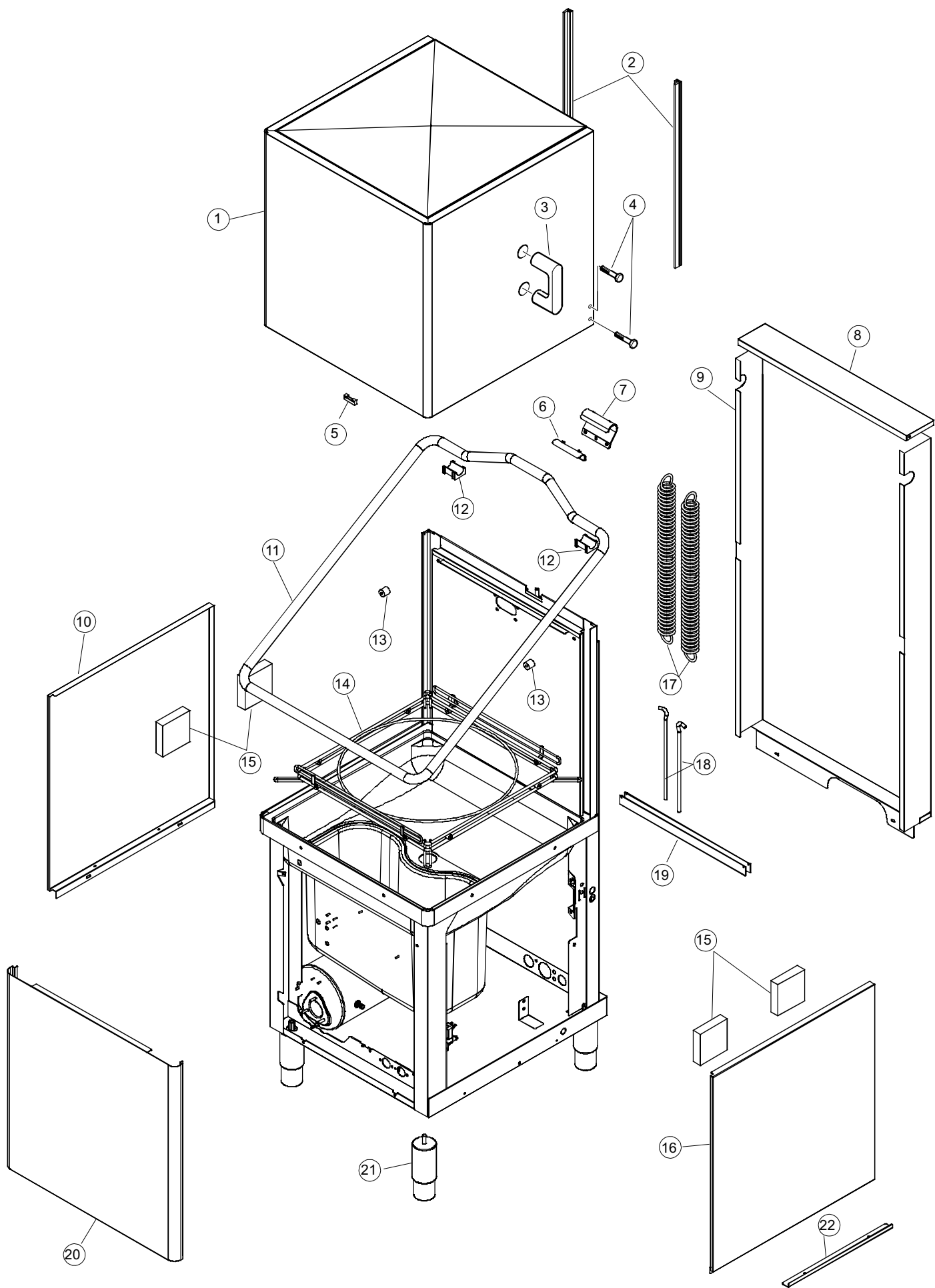
Catalogue pieces detachees
du numero de Série n. 4334285 jusqu'à aujourd'hui (17/11/2021)

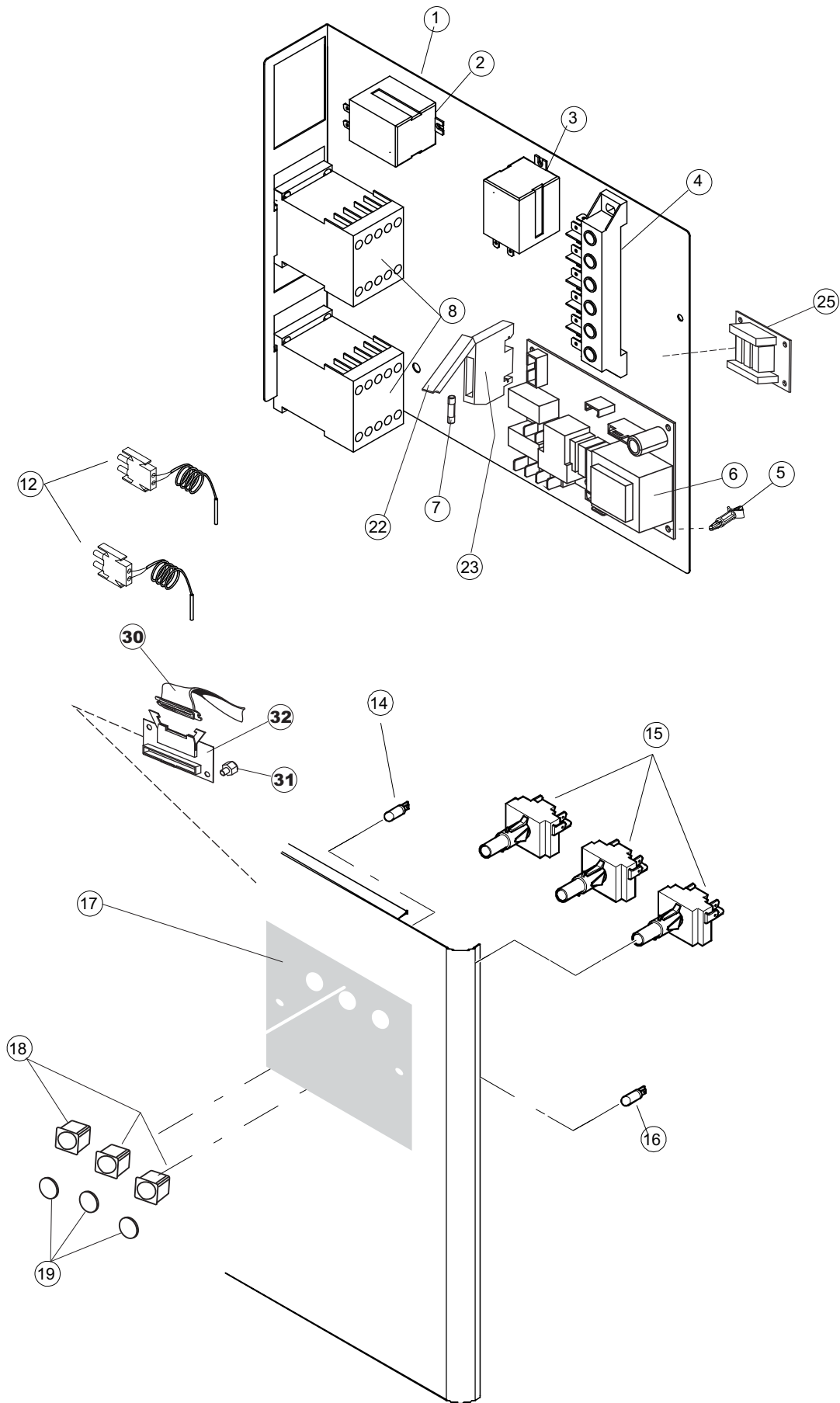
Ersatzteilkatalog
gültig ab Serien-Nr. 4334285 bis heute (17/11/2021)

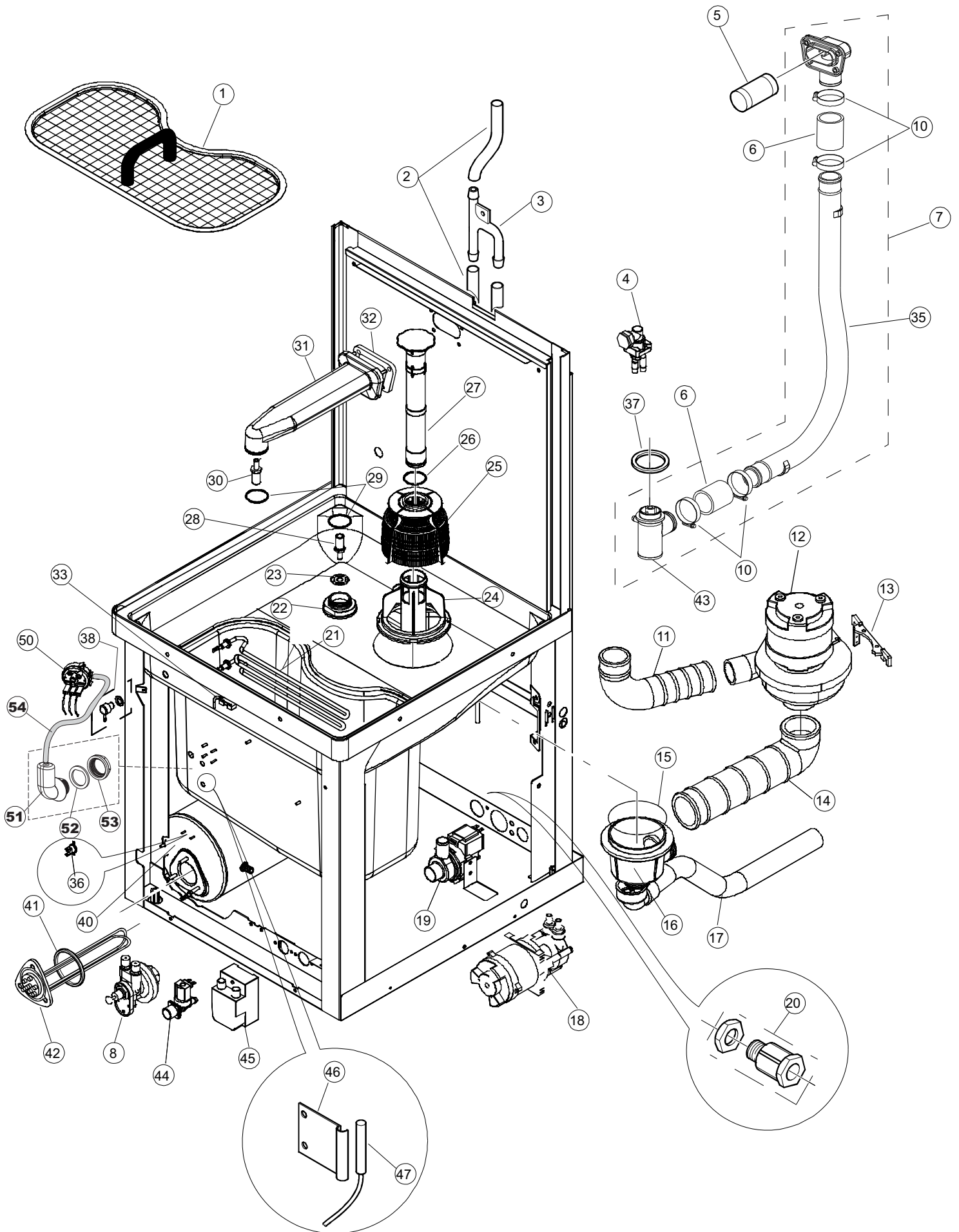
Spare parts catalogue
valid from serial no. 4334285 up today (17/11/2021)

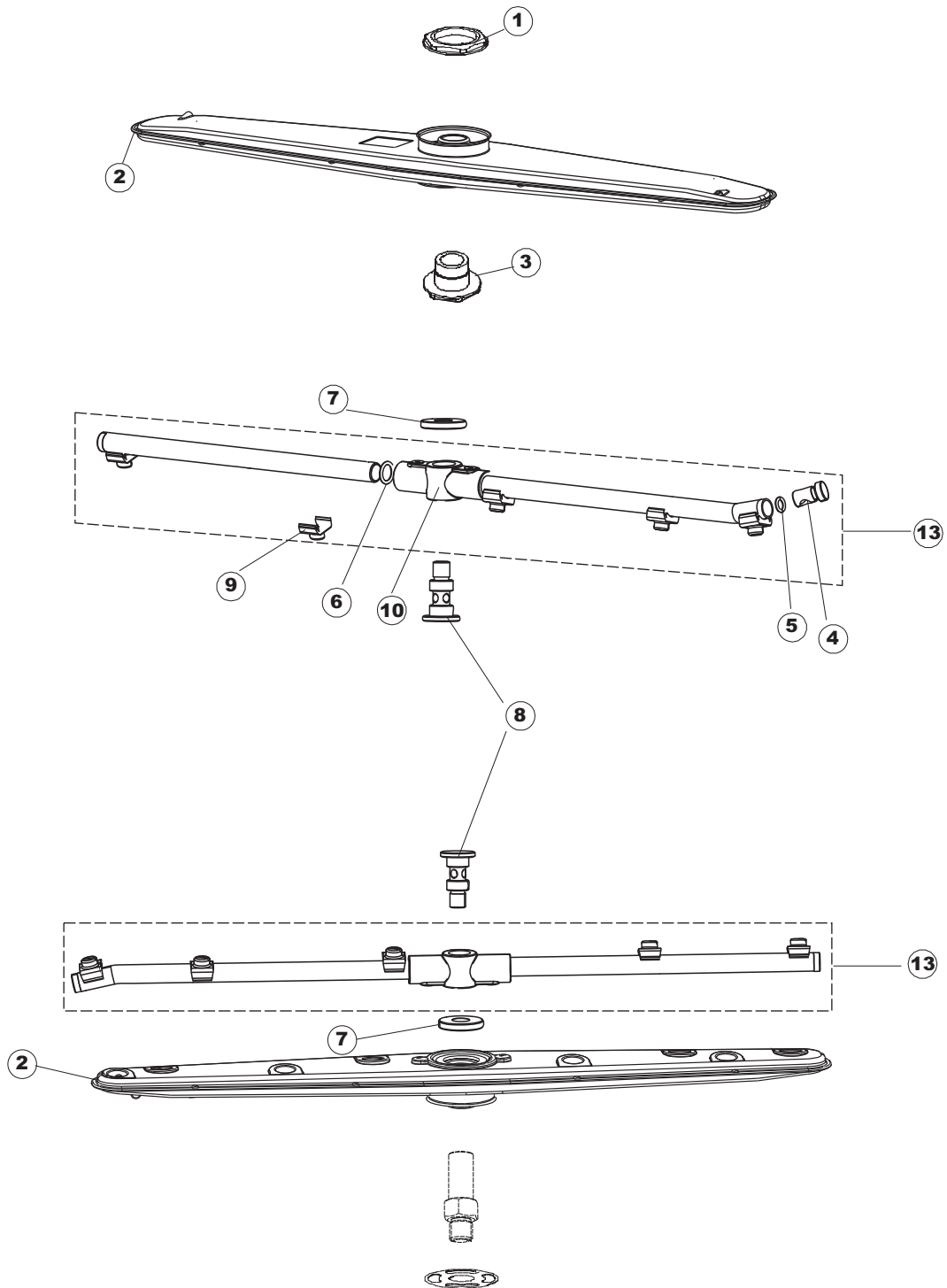
Catálogo de peças de reposição
válido do número de série 4334285 até hoje (17/11/2021)

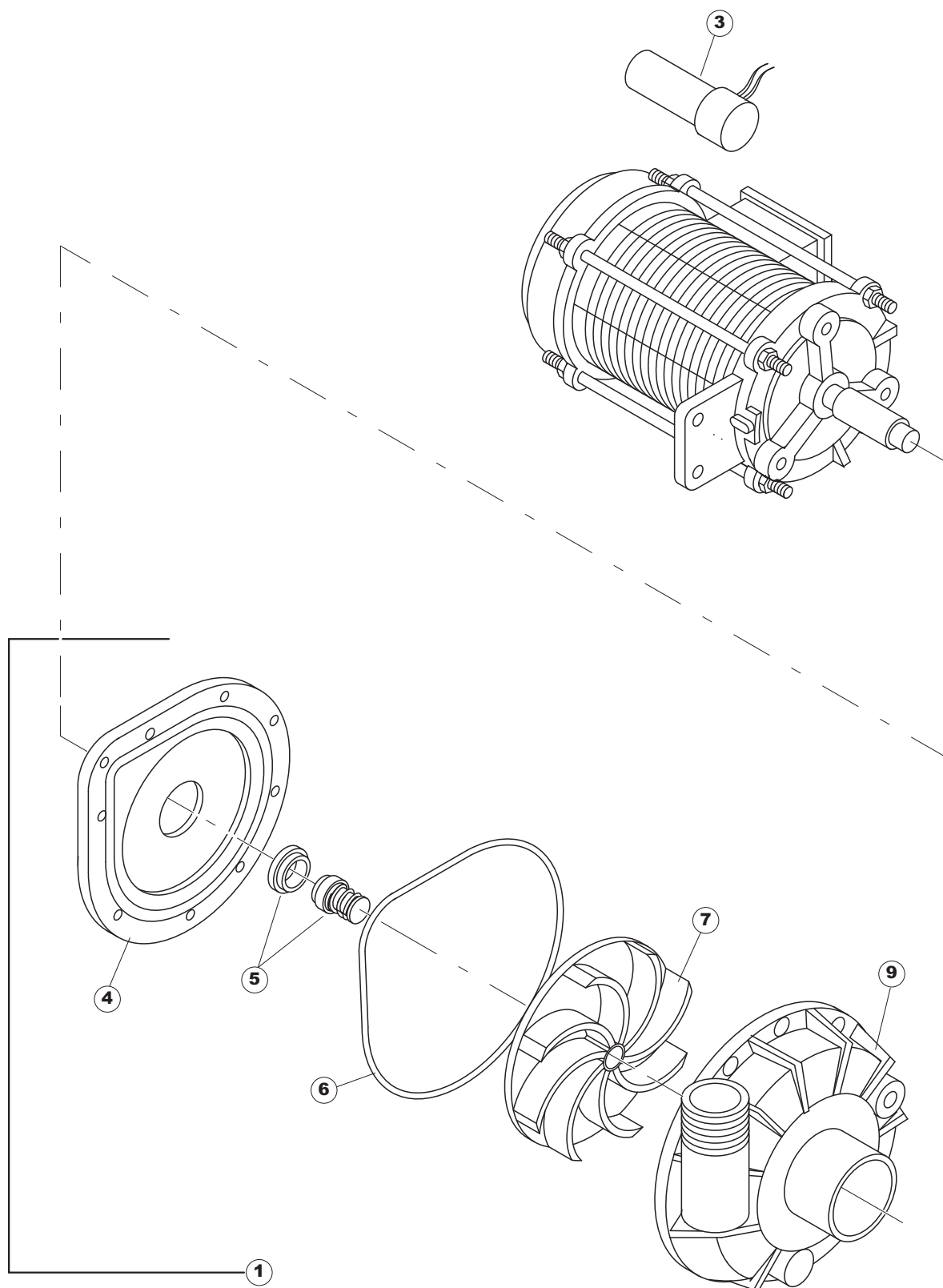
CP4054M











(CAM1733)

(*) Recommended spare part.

Page	Spare part position	Spare part code no.	Old code number	Description	U.m.
1	1	K80141		KIT HOOD	NR
1	2	80069		HOOD DRIVE	NR
1	3	926243		BIG HANDLE GREY BRACKET - CLG TYPE	NR
1	4	80998		SCREW	NR
1	5	927088		MAGNET FOR HOOD MICROSWITCH	NR
1	6	80277		SPRING HOOKING SLIDE	NR
1	7	80275		COIL HOOKING BRACKET - COMPLETE	NR
1	8	80324		PRICE TO BE DEFINED (PART NR. REPLACED BY 74632)	
1	8	74632		TOP PANEL	NR
1	9	80167		BACK PANEL	NR
1	10	69571		LEFT SIDE PANEL	NR
1	11	80035		HANDLE	NR
1	12	80190		BRACKET	NR
1	13	80105		HOOD / DOOR STOP	NR
1	14	80240		PRICE TO BE DEFINED (PART NR. REPLACED BY K80240)	
1	14	K80240		RACK FRAME	NR
1	15	41042		ADHESIVE PLUG	NR
1	16	69572		RIGHT SIDE PANEL	NR
1	17	926007		EXTENSION STEEL SPRING FOR DISHWASHER	NR
1	18	926009		SPRING ADJUSTMENT HOOK	NR
1	19	74923		HOLDER TENSION SPRING	NR
1	20	80127		PRICE TO BE DEFINED	
1	21	73100		FOOT	NR
1	22	80078		SUPPORT BRACKET	NR
2	1	80459		WIRING PANEL	NR
2	2	DER111		PRICE TO BE DEFINED (PART NR. REPLACED BY 229029)	
2	2	229029		RELAY	NR
2	3	929115		RELAY 16A 230V	NR
2	4	220011		TERMINAL BLOCK	NR
2	5	CWP2		FOOT	NR
2	6	215034-5		MAIN BOARD	NR
2	7	228010		FUSE	NR

(*) Recommended spare part.

Page	Spare part position	Spare part code no.	Old code number	Description	U.m.
2	8	73350		CONTACTOR	NR
2	12	231016		TEMPERATURE PROBE	NR
2	14	216029		PILOT LAMP	NR
2	15	80804		DOUBLE SWITCH	NR
2	16	216028		PILOT LAMP	NR
2	17	69991		PRICE TO BE DEFINED	
2	18	226126		PUSH BUTTON CASE	NR
2	19	227064		BUTTON	NR
2	22	H.228047		PRICE TO BE DEFINED (PART NR. REPLACED BY 74935)	
2	22	74935		FUSE-HOLDER	NR
2	23	H.228048		PRICE TO BE DEFINED	
2	25	215036		EXPANSION CARD FOR ADD-ONS	NR
2	30	80934		FLAT CABLE	NR
2	31	461028		FOOT BOARD SUPPORT	NR
2	32	215037		MECHANICAL INTERFACE BOARD	NR
3	1	80259		PLASTIC FILTER	NR
3	2	143010		RUBBER PIPE 12X19,5	MT
3	3	143268		JUNCTION "Y"	NR
3	4	144010		NON RETURN VALVE (PART NR. REPLACED BY 144010NT)	
3	4	144010NT		NON-RETURN VALVE	NR
3	5	441009		GASKET	NR
3	6	80189		DELIVERY WASH HOSE	NR
3	7	80237		MAINFOLD	NR
3	8	DWD3		PRICE TO BE DEFINED (PART NR. REPLACED BY 41952)	
3	9	80182		GASKET	NR
3	10	CFS1A		HOSE CLAMP	NR
3	11	80188		DELIVERY WASH HOSE	NR
3	12	80134		WASHPUMP	NR
3	13	80545		SUPPORT BRACKET	NR
3	14	80186		SUCTION PIPE	NR
3	15	456040		O-RING	NR
3	16	136020		ASPIRATION AND DRAIN BODY	NR

(*) Recommended spare part.

Page	Spare part position	Spare part code no.	Old code number	Description	U.m.
3	17	143136		DRAIN HOSE	NR
3	18	DPE127		MOTORPUMP	NR
3	19	80117		DRAIN PUMP (PART NR. REPLACED BY 130177)	
3	21	70562		HEATING ELEMENT	NR
3	22	80285		RING NUT	NR
3	23	80316		FLOW REDUCER	NR
3	24	429038		RING NUT	NR
3	25	121052		PRICE TO BE DEFINED (PART NR. REPLACED BY 121081)	
3	25	121081		STAINER	NR
3	26	CGR4131NT		O-RING	NR
3	27	80249		OVERFLOW PIPE	NR
3	28	80283		BOTTOM PIVOT	NR
3	29	303032		INOX RING	NR
3	30	80282		PIVOT	NR
3	31	69017		MAINFOLD	NR
3	32	80178		GASKET	NR
3	33	80871		MAGNETIC DOOR SWITCH	NR
3	34	H.775489-001		SUPPORT TEMPERATURE PROBE	NR
3	35	80238		PIPE	NR
3	36	926189		CONTACT SAFETY-THERMOSTAT	NR
3	37	80182		GASKET	NR
3	38	468151		PRICE TO BE DEFINED (PART NR. REPLACED BY 999348)	
3	38	999348		DETERGENT TANK FITTING	NR
3	40	80389		BOILER	NR
3	41	456002		O-RING	NR
3	42	230083C		HEATING ELEMENT 6KW	NR
3	43	80179		PIPE FITTING	NR
3	44	240016		SOLENOID VALVE	NR
3	45	209038		PRICE TO BE DEFINED (PART NR. REPLACED BY 209029)	
3	45	209029		DETERGENT DISPENSER	NR
3	46	H.775489-001		SUPPORT TEMPERATURE PROBE	NR
3	47	231016		TEMPERATURE PROBE	NR

(*) Recommended spare part.

Page	Spare part position	Spare part code no.	Old code number	Description	U.m.
3	50	69850		PRESSURE SWITCH TYPE 45/22	NR
3	51	107012		PRICE TO BE DEFINED (PART NR. REPLACED BY 70600)	
3	51	70600		AIR TRAP FOR PRESSURE SWITCH	NR
3	52	437098		GASKET	NR
3	53	417120		NUT	NR
3	54	143131		PIPE	MT
4	1	80314		PART NUMBER NO LONGER AVAILABLE (PART NR. REPLACED BY 926128)	
4	1	926128		HUB SUPPORT NUT FOR WASHING ARMS FOR DISHWASHERS MOD L51/52 (S6695)	NR
4	2	80311		COMPLETE WASH ARM	NR
4	3	80310		GREY WASH ARM HOLDER (RAL 7001)	NR
4	4	926132		PLASTIC RINSE ARM CAP	NR
4	5	CGR106		PRICE TO BE DEFINED (PART NR. REPLACED BY 456030)	
4	5	456030		O-RING	NR
4	6	456019		O-RING	NR
4	7	80679		RING NUT	NR
4	8	80644		PIVOT	NR
4	9	140036		RINSE JET	NR
4	10	69632		BODY ARM	NR
4	11	80134		WASHPUMP	NR
4	12	80134		WASHPUMP	NR
4	13	69677		COMPLETE RINSE ARM	NR
5	1	80134		WASHPUMP	NR
5	3	80191		CAPACITOR	NR
5	4	80196		PRICE TO BE DEFINED	
5	5	80193		GASKET	NR
5	6	80199		GASKET	NR
5	7	80197		ELECTROPUMP IMPELLER	NR
5	9	80198		PRICE TO BE DEFINED	